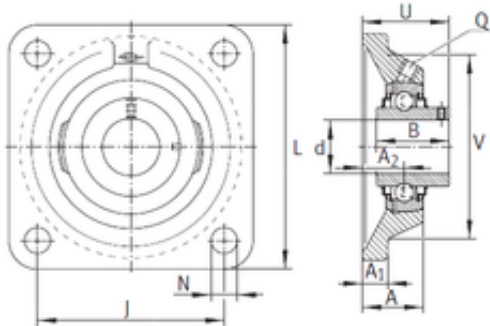


## INA RCJY20-N Bearing unit



Bearing No. RCJY20-N

Bore Diameter	20 mm
d	20 mm
V	68 mm
U	37,3 mm
Thread (Q)	Rp1/8
A	29 mm
A1	10 mm
B	31 mm
J	63,5 mm
L	86 mm
N	11,5 mm
A2	19 mm
Weight	0,62 Kg
Basic dynamic load rating (C)	12,8 kN
Category	Flange Block Bearings
Inventory	0.0
Manufacturer Name	SCHAEFFLER GROUP
Minimum Buy Quantity	N/A
Weight / Kilogram	0.7
EAN	4012802797916
Product Group	M06110
Number of Mounting Holes	4
Mounting Method	Set Screw
Housing Style	4 Bolt Square Flange Block
Rolling Element	Ball Bearing
Housing Material	Cast Iron

RCJY20-N Bearing 2D drawings and 3D CAD models



## Shandong Boao Bearing Co., Ltd.

Expansion / Non-expansion	Non-expansion
Mounting Bolts	11.5 Millimeter
Relubricatable	Yes
Insert Part Number	GYE20KRRB
Seals	Double Land Riding Rubber Contact
Housing Configuration	1 Piece Solid
Pilot Configuration	No Pilot
Inch - Metric	Metric
Long Description	4 Bolt Square Flange Block; 20MM Bore; 90.5MM Bolt Circle; 63.5MM Bolt Spacing; 1 Piece Solid; Set Screw Mount; Cast Iron; Ball Bearing; 31MM Length Thru Bore; Relubricatable; Double Land Riding Rubbe
Other Features	Single Row   Radial   Metric   With Grub Screw
Category	Flange Block
UNSPSC	31171501
Harmonized Tariff Code	8483.20.40.40
Noun	Bearing
Keyword String	Flanged
Manufacturer URL	<a href="http://www.ina.com">http://www.ina.com</a>
Manufacturer Item Number	RCJY20
Weight / LBS	1.544
Nominal Bolt Circle Diameter Round	3.6 Inch   90.5 Millimeter
Bolt Spacing	2.5 Inch   63.5 Millimeter
Cartridge Pilot Diameter	0 Inch   0 Millimeter
Bore	0.787 Inch   20 Millimeter
Length Thru Bore	1.22 Inch   31 Millimeter